

MOTOR SPECIFICATION SHEET

MODEL : SF-JV 30HP 6P (HT)

USED FOR : STANDARD

| DESCRIPTION | DETAIL | | | | |
|----------------------------------|---|---------------------------------------|------|------|--|
| PHASE | 3 | | | | |
| MODEL NAME | SF-JV | | | | |
| RATED OUTPUT, HP (kW) | 30 (22) | | | | |
| POLE | 6 | | | | |
| CODE | MEATH CODE : 1M002V-602200JVND1 | | | | |
| OUTLINE DRAWING NO. | OMM34O137-D | | | | |
| RATED VOLTAGE (V) | 380 | 415 | 380 | 440 | |
| RATED FREQUENCY (Hz) | 50 | 50 | 60 | 60 | |
| RATED CURRENT (A) | 45 | 43 | 44 | 39 | |
| RATED SPEED (min ⁻¹) | 960 | 970 | 1150 | 1170 | |
| THERMAL CLASS | 155(F) | | | | |
| RATING | S1 (CONTINUOUS) | | | | |
| ENCLOSURE CONSTRUCTION | TOTALLY ENCLOSED FAN COOLED | | | | |
| DEGREES OF PROTECTION | IP55 | | | | |
| METHOD OF COOLING | IC411 | | | | |
| FRAME NO. | 180L | | | | |
| WEIGHT (kg) | 240 | | | | |
| STANDARD | IEC 60034-1, JEC-2137-2000 | | | | |
| INSTALLATION | FLANGE MOUNTED (VERTICAL) | | | | |
| ROTATION | CCW (VIEWED FROM SHAFT END) | | | | |
| BEARING | LOAD SIDE | : 6312ZZ | | | |
| | OPPOSITE SIDE | : 6310ZZ | | | |
| BEARING GREASE | UREA GREASE | | | | |
| NOISE (db.A) | 79 | | | | |
| VIBRATION | V15 | | | | |
| CIRCUMSTANCE | AMBIENT TEMPERATURE : -20 ~ +40°C | | | | |
| CONDITION | AMBIENT HUMIDITY : 95%RH OR LESS | | | | |
| | ABOVE SEA LEVEL : 1000m OR LESS | | | | |
| | ENVIRONMENT : NO BURSTING/EROSIVE GAS OR VAPOR | | | | |
| COLOR | MUNSELL N5.5 (GRAY) | | | | |
| TERMINAL BOX | NO. OF LEAD WIRES | : 6 | | | |
| | SOURCE CONNECTION | : LEAD WIRES | | | |
| INSULATION RESISTANCE | BY DC 500V MEGGER - ≥100MΩ | | | | |
| DIELECTRIC TEST | AC 50Hz 1800V - 1min. (Based on rated voltage 380V) | | | | |
| SHAFT SWING | ≤0.05mm | | | | |
| MATERIAL | FRAME | : CAST IRON | | | |
| | BRACKET LOAD SIDE | : CAST IRON (FLANGE) | | | |
| | OPPOSITE SIDE | : CAST IRON | | | |
| | SHAFT | : CARBON STEEL | | | |
| | STATOR CORE | : ELECTRICAL STEEL | | | |
| | WIRE | : ENAMELLED COPPER MAGNET WIRE | | | |
| | INSULATOR | : POLYESTER FILM SATURATED WITH RESIN | | | |
| | VARNISH | : EPOXY DENATURALIZATION POLYESTER | | | |
| | ROTOR CORE | : ELECTRICAL STEEL | | | |
| | CONDUCTOR | : ALUMINIUM | | | |
| | TERMINAL BOX | : STEEL PLATE | | | |
| | PAINTING | : POLYURETHANE RESIN | | | |
| PRODUCTION COUNTRY | THAILAND | | | | |

Specifications subject to change without notice.

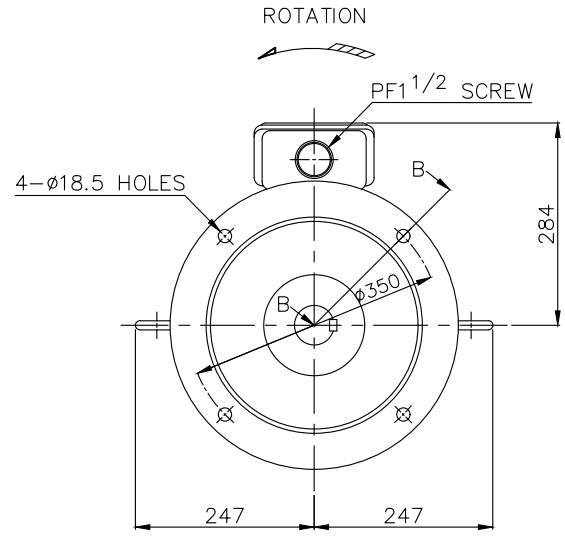
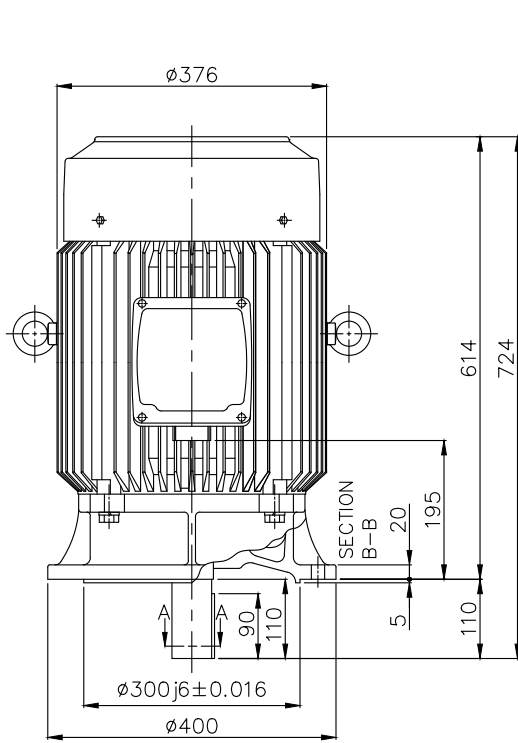
SPECIFICATION SHEET NO.

SS-M-3296-A

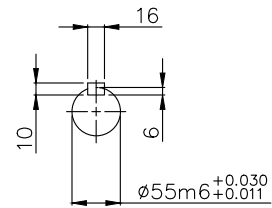
MODEL SF-JV THREE PHASE INDUCTION MOTOR OUTLINE DRAWING

TOTALLY ENCLOSED FAN COOLED
 DEGREES OF PROTECTION IP55
 DUST & WATER JET PROOF

CUSTOMER _____
 USER _____
 FOR _____
 CUSTOMER'S ORDER NO. _____
 QUANTITY _____
 MFG. ORDER NO. _____



BOTTOM VIEW OF SHAFT END

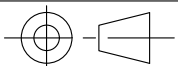


SECTION A-A

| YOUR ORDER | FRAME SIZE | RATING | TH. CLASS | AMB. TEMP. | BEARINGS | | COLOR | DIRECTION OF ROTATION (VIEWED FROM SHAFT END) | NO. OF LEAD WIRES | REMARKS |
|------------|------------|------------|-----------|------------|---------------|----------------|---------------------|---|-------------------|---------|
| | | | | | LOAD SIDE | OPP. SIDE | | | | |
| | 180L | S1 (CONT.) | 155(F) | 40°C | 6312ZZC3 (2P) | 6312ZZ (4P,6P) | GRAY (MUNSELL N5.5) | CCW | 6 | |

| YOUR ORDER | OUTPUT | | POLES | VOLT | HERTZ | REMARKS |
|------------|--------|------|-------|-------------|-------|---------|
| | HP | kW | | | | |
| | 40 | 30 | 2 | 220/380/415 | 50 | LT |
| | | | | 220/440 | 60 | |
| | 40 | 30 | 4 | 220/380/415 | 50 | LT |
| | | | | 220/440 | 60 | |
| | 25 | 18.5 | 6 | 220/380/415 | 50 | LT |
| | | | | 220/440 | 60 | |
| | 30 | 22 | 6 | 220/380/415 | 50 | LT |
| | | | | 220/440 | 60 | |
| | 40 | 30 | 2 | 380/415 | 50 | HT |
| | | | | 380/440 | 60 | |
| | 40 | 30 | 4 | 380/415 | 50 | HT |
| | | | | 380/440 | 60 | |
| | 25 | 18.5 | 6 | 380/415 | 50 | HT |
| | | | | 380/440 | 60 | |
| | 30 | 22 | 6 | 380/415 | 50 | HT |
| | | | | 380/440 | 60 | |

mitsubishi electric automation (thailand) co., ltd.



DIMENSION IN mm.

SCALE : NTS

OUTLINE DRAWING NO.

0 M M 3 4 0 1 3 7

REV.

D